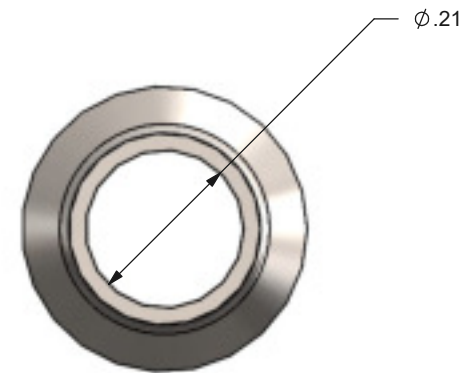


SCALE 4:1



NOTES:

1. INSTALLATION TO BE COMPLETED IN ACCORDANCE WITH MANUFACTURER'S SPECIFICATIONS.
2. THIS DRAWING IS INTENDED FOR USE BY ARCHITECTS, ENGINEERS, CONTRACTORS, CONSULTANTS, AND DESIGN PROFESSIONALS FOR PLANNING PURPOSES ONLY. THIS DRAWING MAY NOT BE USED FOR CONSTRUCTION.
3. ALL INFORMATION CONTAINED HEREIN WAS CURRENT AT THE TIME OF DEVELOPMENT BUT MUST BE REVIEWED AND APPROVED BY THE PRODUCT MANUFACTURER TO BE CONSIDERED ACCURATE.

**THE CABLE CONNECTION**  
 52 HEPPNER DR.  
 CARSON CITY, NV 89706  
 TOLL FREE: 1-800-851-2961  
 PHONE: (775) 885-1443  
 FAX: (775) 885-2734  
 www.ultra-tec.com



MATERIAL: 316 SS			
PROPRIETARY AND CONFIDENTIAL THE INFORMATION CONTAINED IN THIS DRAWING IS THE SOLE PROPERTY OF THE CABLE CONNECTION. ANY REPRODUCTION IN PART OR AS A WHOLE WITHOUT THE WRITTEN PERMISSION OF THE CABLE CONNECTION IS PROHIBITED.			
SIZE	DWG. NO.	<b>CS-TUBE          CABLE RAILING HARDWARE</b> <b>SPEC SHEET</b>	
A			
DO NOT SCALE DRAWING		SHEET 1 OF 1	